

## MONOBLOX

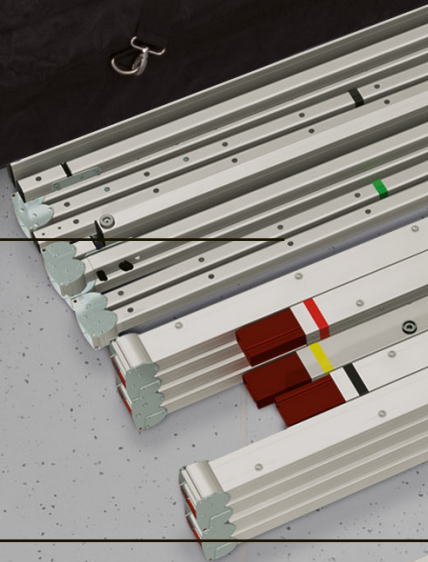
INSTRUCTION FOR MOBILE PROJECTION SCREENS  
MONOBLOX 32 AND MONOBLOX 64



## FOLDABLE LEGS

---

According to the size of the projection-screen five different leg types are available



## VERTICAL MODULES

---

Vertical modules for Monoblöx 64  
By exchanging vertical modules of different length, the aspect ratio can be changed easily (4:3 - 16:9 - 16:10)

## WING SCREWS

---

Thumb screws in yellow bag



## PROJECTION SCREEN BAG

---

Lined storage bag for projection screen



## SOFTBAG WITH WHEELS

---

padded, tearproof nylon bag  
with wheels and carrying straps  
small 128x25x30 cm  
big 133x31x35 cm

## HORIZONTAL FRAME ELEMENTS

---

Compact transport volume  
due to patented snap joint technology  
Special extruded and hardened aluminum alloy  
allow maximum stability at minimum weight

## ASSEMBLY INSTRUCTION

---





## GENERAL

### QUALITY AND SAFETY:

This projection screen is in accordance with the safety regulations in DIN standard 19045 and DIN 56950. The screen fabric is comply with DIN 4102 part 1 and the specifications of the according data sheet.

### WARRANTY:

The warranty period for production deficiencies is 5 years for the frame elements and 24 months for the projection surface. Mobile projection screens are developed for indoor use only. Any damage and consequential damage caused by outdoor use is not covered by warranty.

### FRAME ELEMENTS:

The frame elements, legs and additional elements are maintenance-free!

### PROJECTION SURFACE:

The projection surface is packed into a separate soft bag to avoid any damage by the frame parts, bleaching and discoloration. Additionally following handling instructions have to be adhered to:

- ! Do not bring printed and coloring objects (instructions, magazines, etc.) in contact with the projection surface !
- ! Do not mark the projection surface !

Colors penetrate the projection surface and cannot be cleaned anymore!

Store the projection surface cleaned and dry at room temperature only!

The projection surface has to be folded with the front layer inside; in order to avoid soil and damage.

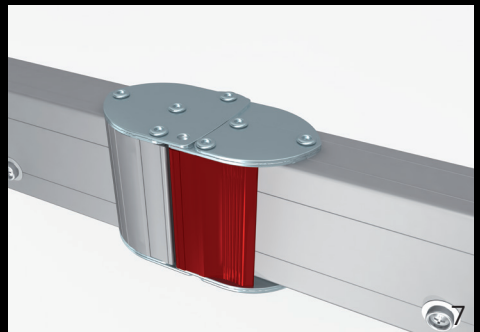
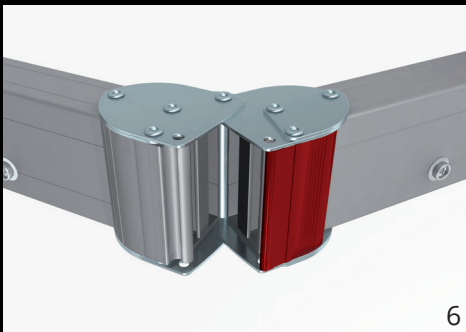
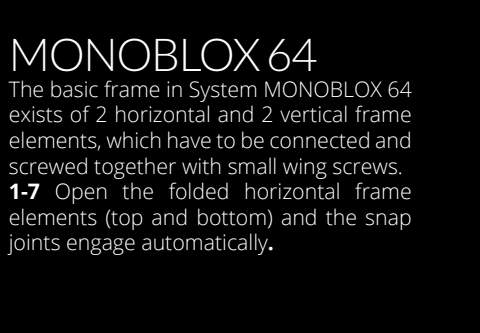
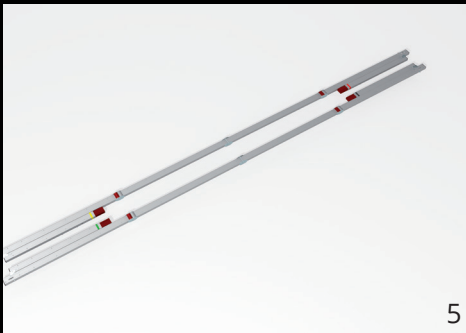
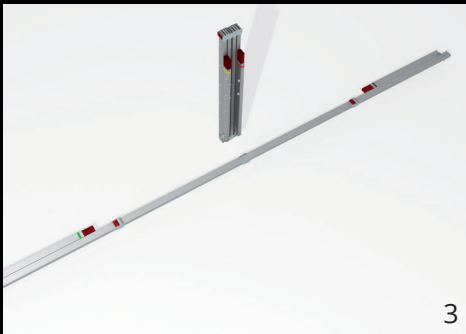
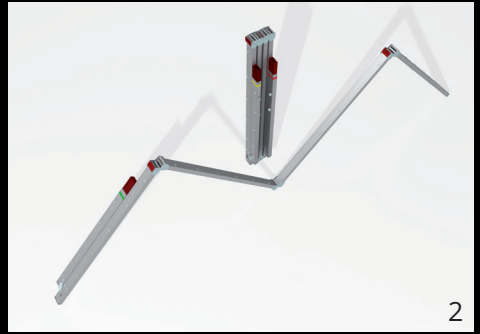
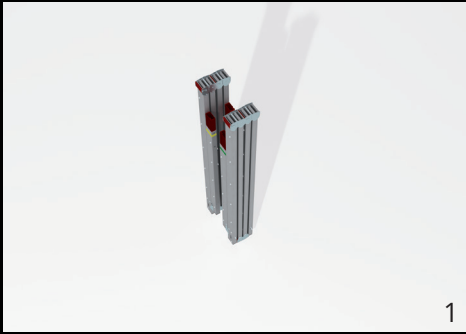
When transporting the projection surface at low temperatures, do not unfold the surface unless it has reached its full elasticity at room temperature. Otherwise there is the risk of cold break of the projection screen. When folding the projection surface, insert the enclosed foamed plastic foil between snap buttons and surface to avoid permanent marks.

### CLEANING OF THE PROJECTION SURFACE:

Use a white clean cotton cloth saturated with clear water (optionally mild soap water) and gently wipe the area in one direction (no circular motion). Wipe dry with another cotton cloth.

To clean a stubborn stain, use methylated spirit and follow the same procedure.

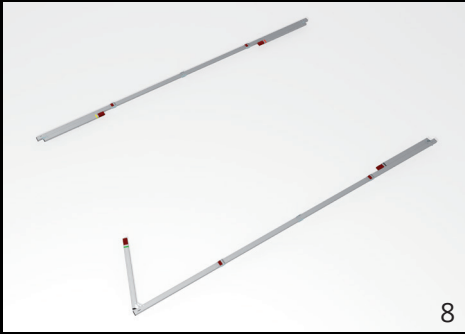
Clean rear projection surfaces in case of imperative only!



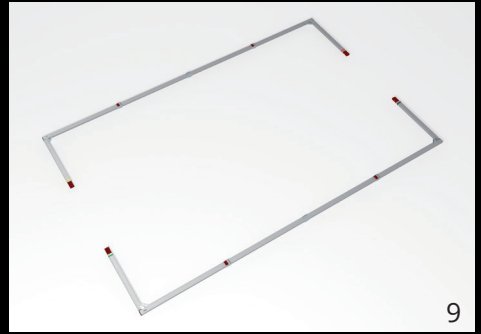
## MONOBLOX 64

The basic frame in System MONOBLOX 64 exists of 2 horizontal and 2 vertical frame elements, which have to be connected and screwed together with small wing screws.

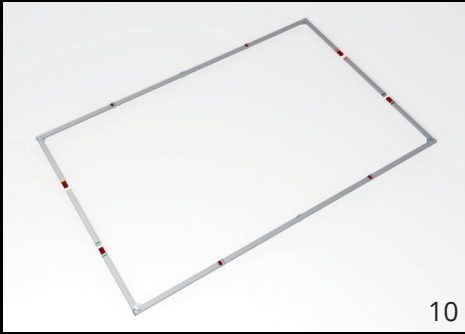
**1-7** Open the folded horizontal frame elements (top and bottom) and the snap joints engage automatically.



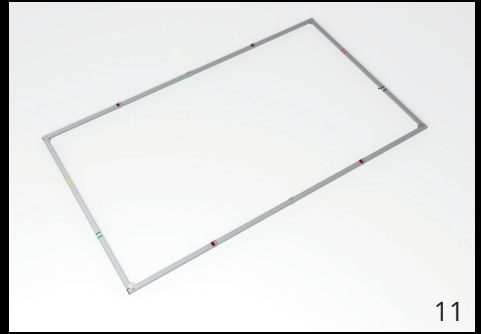
8



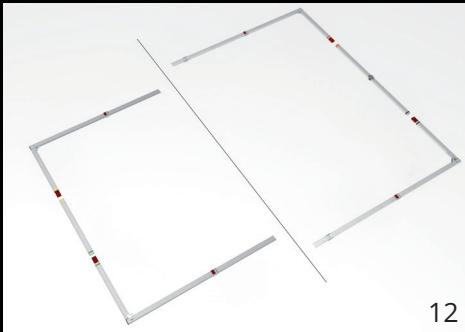
9



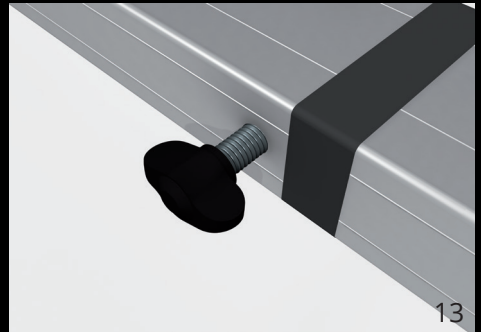
10



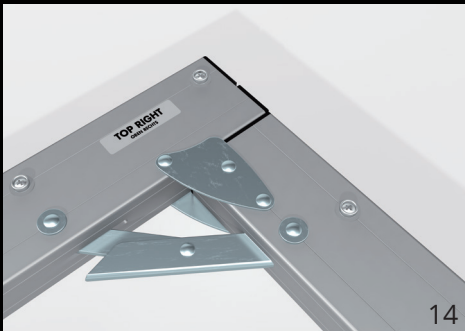
11



12



13



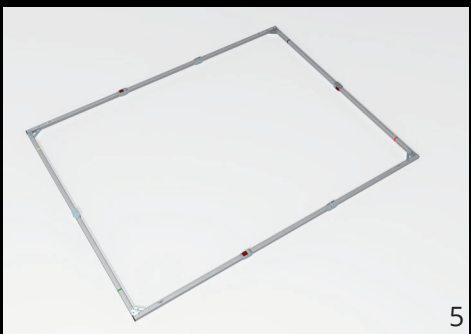
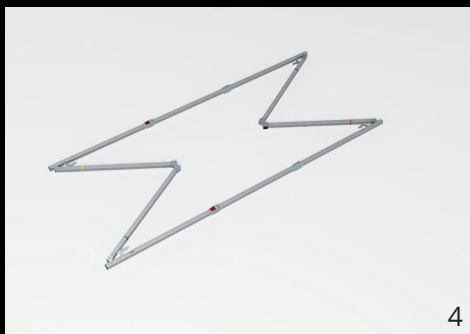
14

**8-11** Open the corners and plug-in the vertical elements.

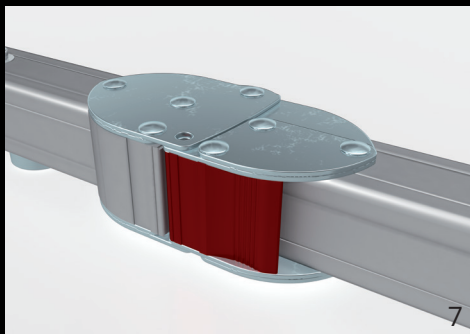
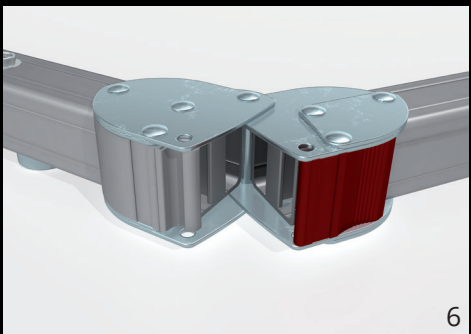
**12** Simply change the aspect ratio by using vertical modules of different length (4:3 - 16:9 - 16:10)

**13** The vertical modules have to be secured with two wing screws M8x15.

**14** Engaging the shear joints ensures the maximum screen stability.



**MONOBLOX 32**  
1-7 Open the folded frame horizontally and the locking hinges quickly engage and lock automatically. Pull the frame apart and the vertical frame parts lock into place.



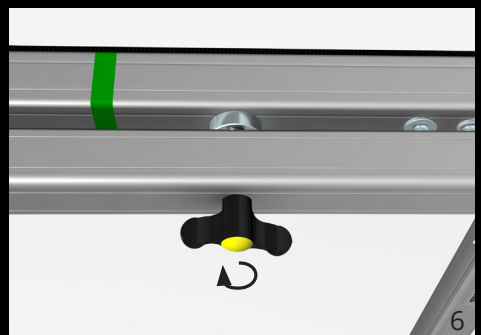
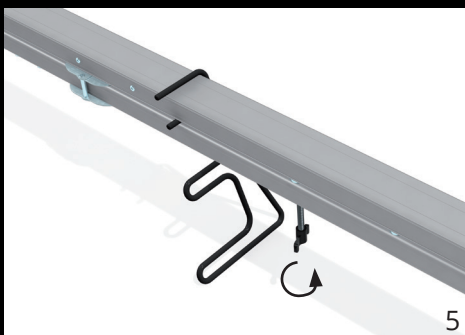
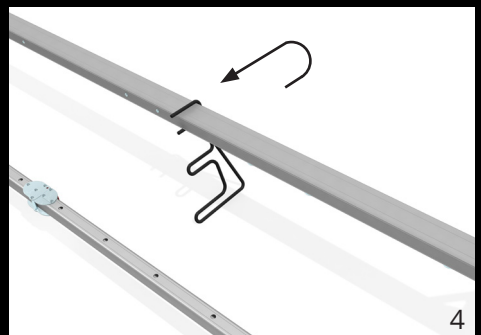
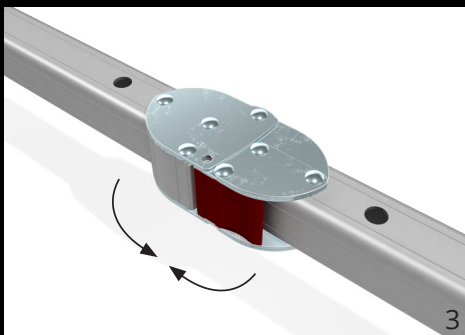
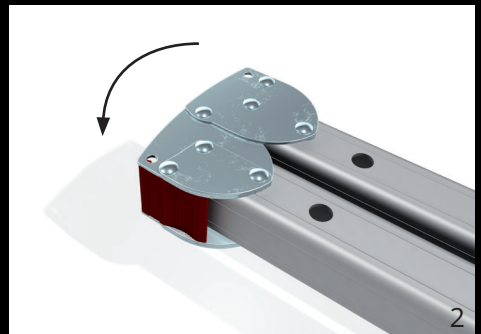
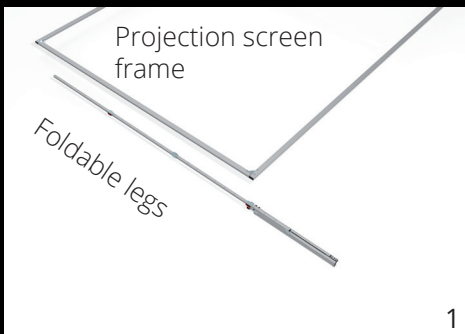
# FOLDABLE LEGS FOR VERTICAL ADJUSTMENT

The legs are foldable for compact transport volume. All profile elements are connected with snap joints or hinges inseparable.

## MOUNTING

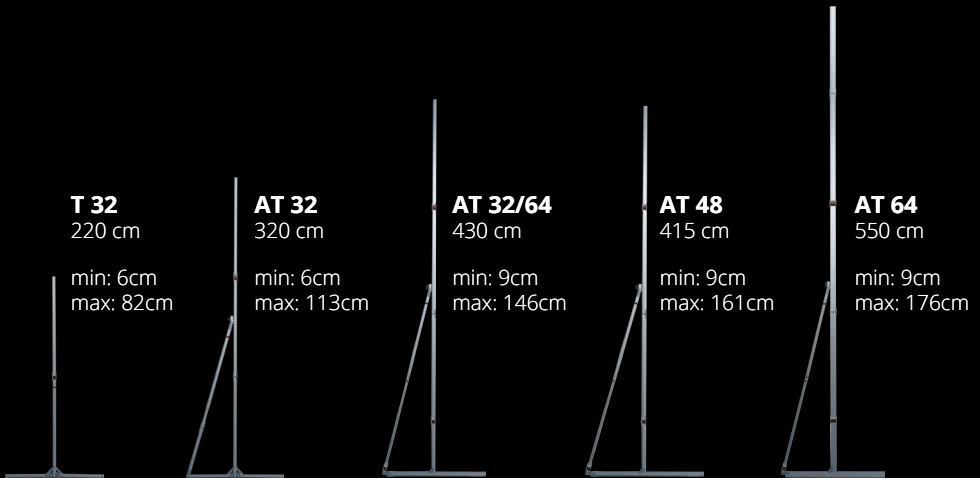
**1** First open the vertical elements of the legs (with holes) **2-3** The snap joints engage automatically. **4** To secure the legs by a single person, we recommend the use of set up supports. Slide on with the upper round steel fork two set up supports each on the legs and center supports. Lay on the legs on the bottom bow and align the hole pattern matching the connection points at the desired set-up height. (Please follow the separate instructions for set up support). **5-6** The feet are secured with wing screws on the vertical frame elements.

Note: Please find the instructions for telescopic support attachment under chapter SET UP





# LEG TYPES



Please mind the maximum set-up height of the legs:

**min:** minimum height of the bottom edge of the frame

**max:** maximum height of the bottom edge of the frame without additional safeguarding

Set-up heights are points of reference and have to be adapted in accordance with the screen size and ambient conditions. Set-up heights are based on absolute vertical alignment at indoors without additional force effects (e.g.: wind, air condition draught,..)

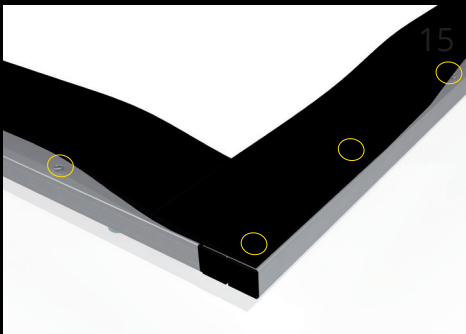
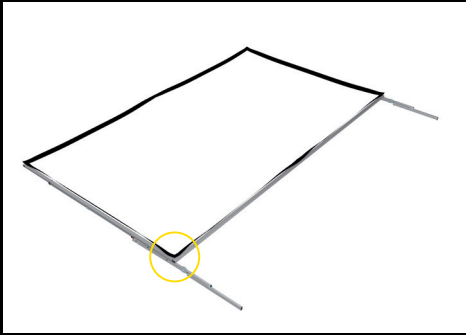
When a high degree of stability is needed, especially with large screens or a high set-up height, we recommend using following legs: AT 32 for MONOBLOX 32 and AT48 or AT64 for MONOBLOX 64. AT-Legs have a telescopic support that is tightened with two wing screws.

# SURFACE MOUNTING

Lay out the surface on the frame with the label „OBEN-TOP“ corresponding with the upper frame bar.

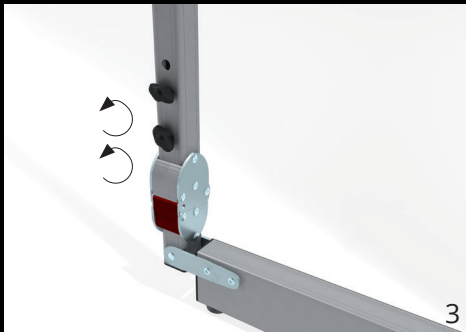
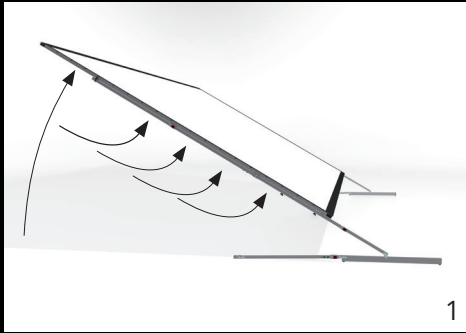
Press on the projection surface by starting at one corner and fasten the buttons one by one.

! Please mind the instructions for projection surfaces in chapter GENERAL !



# SET UP

**1** Lift the projection screen with one person at each of the top corners and put it up by supporting the screen along the vertical frame elements.  
To avoid mechanical overload and damage of the screen elements and legs with large screens or high set-up height, the screen has to be raised with an appropriate number of persons or rather by using hoisting devices.



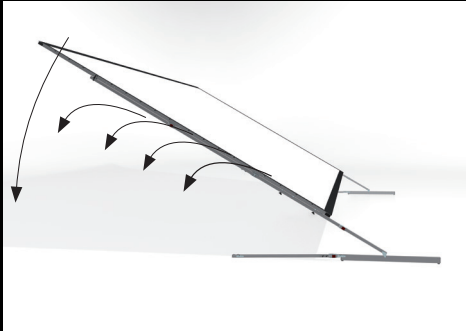
## TELESCOPIC SUPPORT ATTACHMENT

**2** Raise the telescopic support. **3** Untighten the wing screws. **4** Bolt the telescopic support with the wing screw M8x50mm (yellow).  
**5** Finally retighten the telescopic support clamp.



# BREAK DOWN

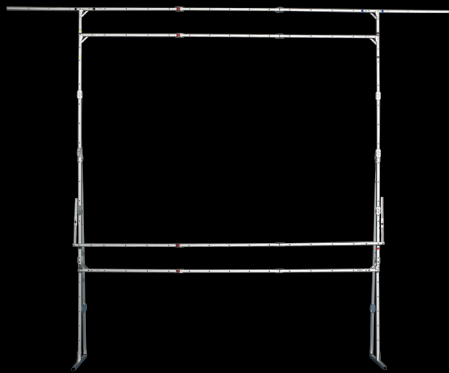
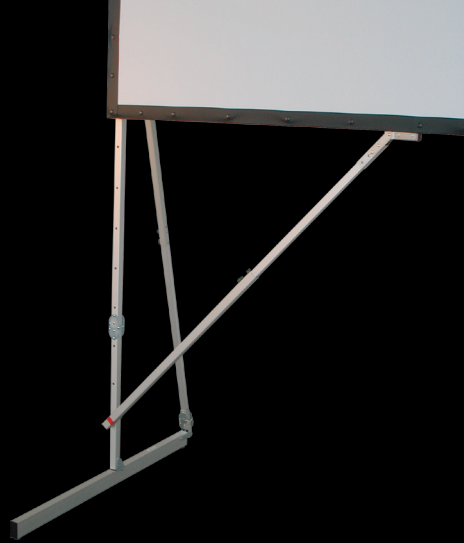
Open the shear joints and telescopic leg supports with one person next to each of the foldable legs. Bring down the screen by supporting the screen along the legs and vertical frame elements towards the top corner edges.



# ACCESSORIES

## ANTI-SWAY BRACE

To increase the side-stability of the projection screen the in length variable Anti-Sway Brace has to be screwed on the leg and clamped to the basic frame.



## DRAPEKIT

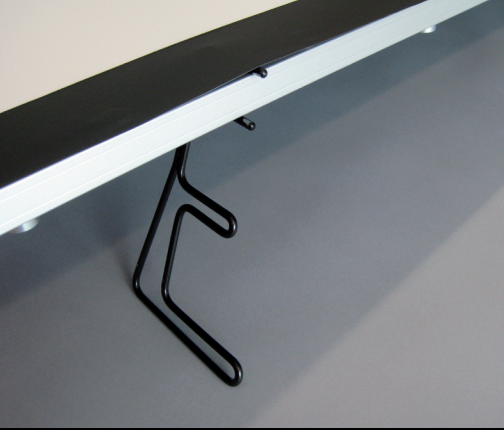
To drape a projection screen with decoration curtains. Depending on requirements, various frame parts can be used to attach the drapes Valance Bar (top drape), Wing Bar (left and right drape) and Skirt Bar (bottom drape - height adjustable for aspect ratio change) Heavy drapes have to be attached after the set up to avoid damaging of frame parts!



## EASYFLY™

### SUSPENSION CLAMP WITH EYEBOLT

This adapters for Monoblox can be attached quickly and easily at any point. The eyebolt fixes the adapter to the profile, offering professional hanging possibilities. Available for profile sizes 32x32mm and 64x32mm. max. load 30 kg/60 lbs.



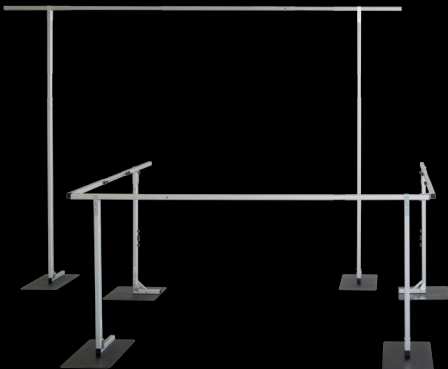
## SET UP SUPPORT

The optional available set up support allows an easy mounting of the legs. By means of the 4 round bar holders the wings screws can be bolted by one person only without holding the frame and leg in position.

## FLIGHT CASE

As an option we offer sturdy, stackable transport cases with rollers for all mobile projection screens.

Transport case small: size 123 x 38 cm, height 34 cm  
Transport case large: size 134 x 38 cm, height 37 cm



## DRAPE RUNOFF

This universal and transportable Drapery System can be used as independent partition, to mark out control areas or to allow flexible room design. A few elements combined with the telescopic system suffice to accomplish a variety of decorative purposes – no tools required. The decoration material is attached by Velcro fasteners.